

Indissima Modular Soap with Lever



Soap Module to be fitted with Modular Bar A8883.

Stainless Steel - A8867M NS
Matte Black - A8867M NE
Matte White - A8867M WM

Colours Available

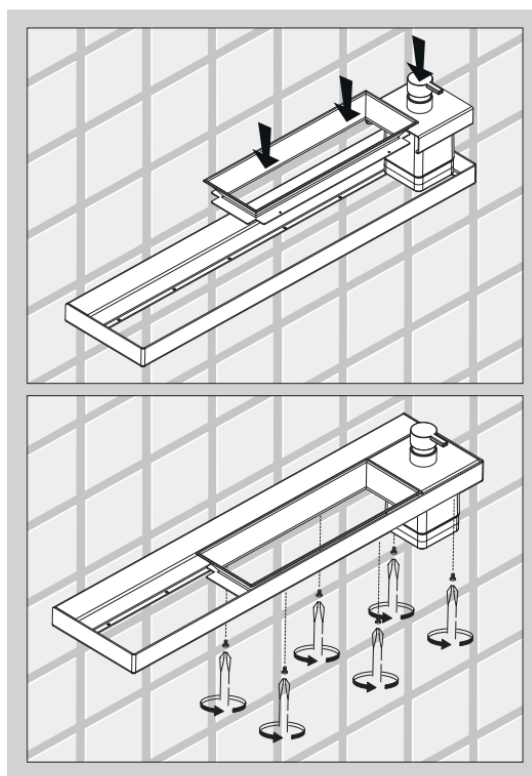
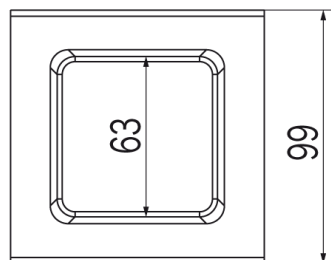
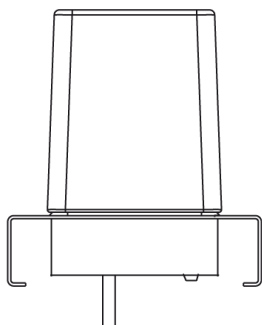
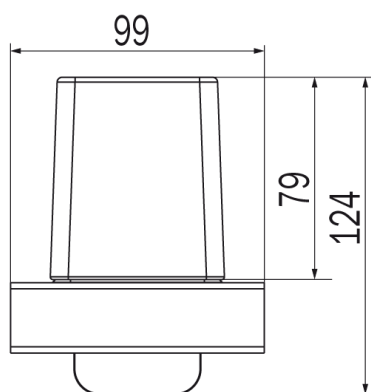
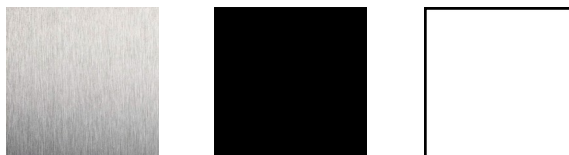
Stainless Steel - NS
Matte Black - NE
Matte White - WM



Designed by Matte Thun

Manufactured in Italy

2 Year Replacement Warranty



Proudly imported and distributed by
Gro Agencies Pty Ltd
Unit 2 / 37 Howe St, Osborne Park, WA, 6017
P 08 9446 3288 E info@groagencies.com.au W www.groagencies.com.au

